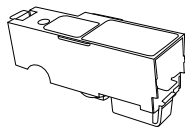
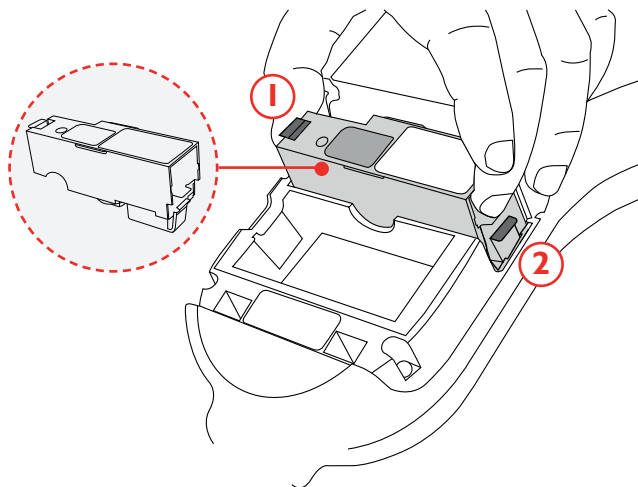


## Generator Removal & Replacement

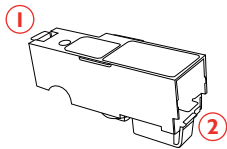


**Note:**

When replacing the generator, ensure that the unit is switched off before opening the back cover.



## Generator Removal & Replacement



### Removal

- Remove the smoke cartridge from within the generator.
- Disengage clip **1** and lift. Repeat for clip **2** to remove the used generator.
- When replacing a generator, any dust or debris from the main unit can be removed with an air duster. Any condensation can be removed by wiping with a lint-free cloth.

### Replacement

- Insert the generator firmly into the recess, engaging clips **1** and **2**.
- Once the generator is inserted do not remove it until it is indicated that a replacement is necessary.

**No Climb Products Ltd**  
Edison House  
163 Dixons Hill Road  
Welham Green  
Hertfordshire, AL9 7JE  
United Kingdom

Tel: +44 (0) 1707 282 760  
Fax: +44 (0) 1707 282 777  
support@detectortesters.com



**detectortesters**  
testing technology from No Climb